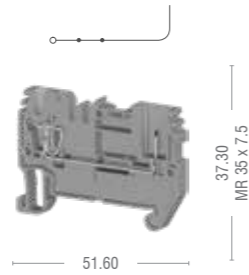


SCP2.5GREY

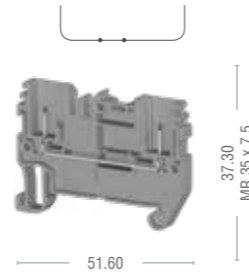
Width: 5.2 mm



**Feed Through Terminal Block
Wire to Plug**

SCPPP2.5GREY

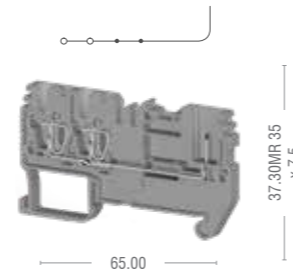
Width: 5.2 mm



**Feed Through Terminal Block
Plug to Plug**

SCP212.5GREY

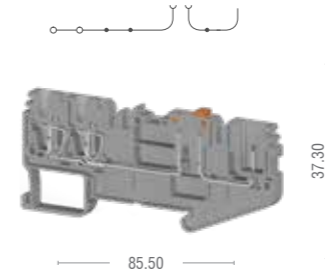
Width: 5.2 mm



**Feed Through Terminal Block
Double Wire Entry to Plug**

SCP22K2.5GREY

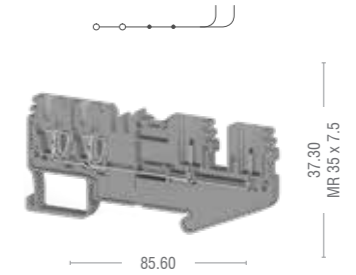
Width: 5.2 mm



**Knife Disconnect Terminal Block
Double Wire Entry to Plug**

SCP222.5GREY

Width: 5.2 mm



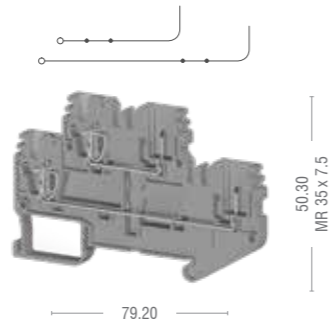
**Feed Through Terminal Block
Double Wire Entry to Two Plugs**



Electrical Ratings	SCP2.5GREY	SCPPP2.5GREY	SCP212.5GREY	SCP22K2.5GREY	SCP222.5GREY	
CE (IEC 61984 / IEC 60947-7-1)	500 V / 24 A / 2.5 mm ²	500 V / 24 A / 2.5 mm ²	500 V / 24 A / 2.5 mm ²	400 V / 24 A / 2.5mm ²	500 V / 24 A / 2.5mm ²	
Connection Data						
Conductor cross section solid (min.-max.)	0.08 - 4 mm ²		0.08 - 4 mm ²	0.08 - 4 mm ²	0.08 - 4 mm ²	
Conductor cross section stranded (min.-max.)	0.14 - 2.5 mm ²		0.14 - 2.5 mm ²	0.14 - 2.5 mm ²	0.14 - 2.5 mm ²	
2 conductors with same cross section, stranded, TWIN ferrules with plastic sleeve	0.5 mm ²		0.5 mm ²	0.5 mm ²	0.5 mm ²	
AWG Conductor	28 - 12		28 - 12	28 - 12	28 - 12	
Insulation Stripping Length (min.-max.)	8 - 10 mm		8 - 10 mm	8 - 10 mm	8 - 10 mm	
Technical Data						
Rated Impulse Voltage / Pollution severity	6/3	6/3	6/3	6/3	6/3	
Insulation material group / Gauge pin code according to IEC 60947-1	1/A3	1/NA	1/A3	1/A3	1/A3	
Protection class / Protection conductor type	IP 20 / -	IP 20 / -	IP 20 / -	IP 20 / -	IP 20 / -	
Ordering Data	Type	Qty.	Type	Qty.	Type	Qty.
Feed Through Terminal Block	SCP2.5GREY	50	SCPPP2.5GREY	50	SCP212.5GREY	50
Feed Through Terminal Block, Earth					SCP22K2.5GREY	50
Accessories	Type	Qty.	Type	Qty.	Type	Qty.
End Plate	EPSCP2.5GREY	50	EPSCP2.5GREY	50	EPSCP212.5GREY	50
					EPSCP222.5GREY	50
Cross Connectors	CCSSCP2.5/2	25	CCSSCP2.5/2	25	CCSSCP2.5/2	25
	CCSSCP2.5/3	20	CCSSCP2.5/3	20	CCSSCP2.5/3	20
	CCSSCP2.5/4	15	CCSSCP2.5/4	15	CCSSCP2.5/4	15
	CCSSCP2.5/5	10	CCSSCP2.5/5	10	CCSSCP2.5/5	10
	CCSSCP2.5/10	5	CCSSCP2.5/10	5	CCSSCP2.5/10	5
Separation Plate	SOPSP2.5GREY	50	SOPSP2.5GREY	50	SOPSP212.5GREY	50
					SOPSP222.5GREY	50
Pin Code	SCP-CODE	50	SCP-CODE	50	SCP-CODE	50
Marking Tags	Refer to our Printer solution		Refer to our Printer solution		Refer to our Printer solution	

SCP22D2.5GREY

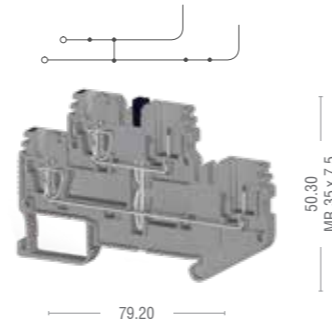
Width: 5.2 mm



Feed Through Two-Level Terminal Block
Double Wire Entry to Two Plugs

SCP22DB2.5GREY

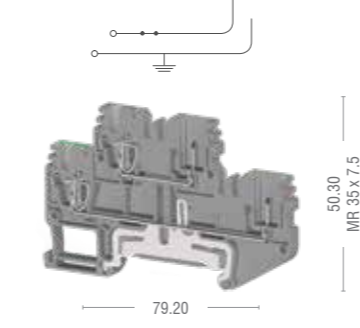
Width: 5.2 mm



Feed Through Two-Level Terminal Block
Double Wire Entry To Two Plugs
Vertically Bridged

SCP22DLP2.5GREY

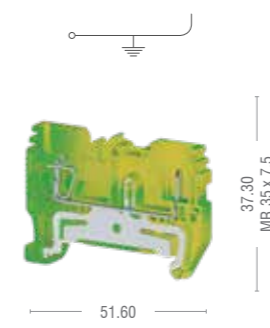
Width: 5.2 mm



Feed Through Two-Level Terminal Block
Double Wire Entry To Two Plugs
Phase - Protective Earth Conductors

SCPPE2.5P

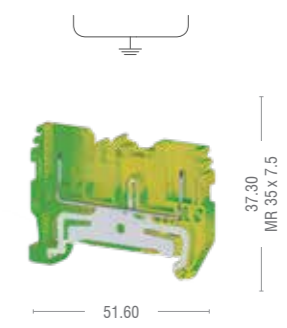
Width: 5.2 mm



Feed Through Terminal Block
Wire to Plug
Protective Earth

SCPPPE2.5P

Width: 5.2 mm



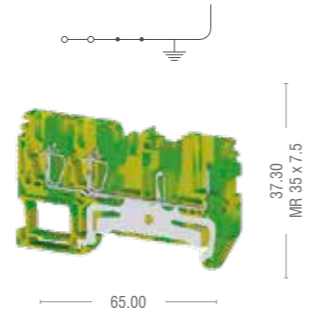
Feed Through Terminal Block
Plug to Plug
Protective Earth



Electrical Ratings	SCP22D2.5GREY	SCP22DB2.5GREY	SCP22DLP2.5GREY	SCPPE2.5P	SCPPPE2.5P
CE (IEC 61984 / IEC 60947-7-1)	500 V / 24 A / 2.5 mm ²	500 V / 24 A / 2.5 mm ²	500 V / 24 A / 2.5mm ² - V / - A / 2.5 mm ²	- V / - A / 2.5 mm ²	- V / - A / 2.5 mm ²
Connection Data					
Conductor cross section solid (min.-max.)	0.08 - 4 mm ²	0.08 - 4 mm ²	0.08 - 4 mm ²	0.08 - 4 mm ²	
Conductor cross section stranded (min.-max.)	0.14 - 2.5 mm ²	0.14 - 2.5 mm ²	0.14 - 2.5 mm ²	0.14 - 2.5 mm ²	
2 conductors with same cross section, stranded, TWIN ferrules with plastic sleeve	0.5 mm ²	0.5 mm ²	0.5 mm ²	0.5 mm ²	
AWG Conductor	28 - 12	28 - 12	28 - 12	28 - 12	
Insulation Stripping Length (min.-max.)	8 - 10 mm	8 - 10 mm	8 - 10 mm	8 - 10 mm	
Technical Data					
Rated Impulse Voltage / Pollution severity	6/3	6/3	6/3	6/3	6/3
Insulation material group / Gauge pin code according to IEC 60947-1	1/A3	1/A3	1/A3	1/A3	1/NA
Protection class / Protection conductor type	IP 20 / -	IP 20 / -	IP 20 / - / PE	IP 20 / PE	IP 20 / PE
Ordering Data	Type Qty.	Type Qty.	Type Qty.	Type Qty.	Type Qty.
Feed Through Terminal Block	SCP22D2.5GREY 50	SCP22DB2.5GREY 50	SCP22DLP2.5GREY 50	SCPPE2.5P 50	SCPPPE2.5P 50
Feed Through Terminal Block, Earth					
Accessories	Type Qty.	Type Qty.	Type Qty.	Type Qty.	Type Qty.
End Plate	EPSCP22D2.5GREY 25	EPSCP22D2.5GREY 25	EPSCP22D2.5GREY 25	EPSCPPE2.5 50	EPSCPPE2.5 50
Cross Connectors	CCSSCP2.5/2 25 CCSSCP2.5/3 20 CCSSCP2.5/4 15 CCSSCP2.5/5 10 CCSSCP2.5/10 5	CCSSCP2.5/2 25 CCSSCP2.5/3 20 CCSSCP2.5/4 15 CCSSCP2.5/5 10 CCSSCP2.5/10 5	CCSSCP2.5/2 25 CCSSCP2.5/3 20 CCSSCP2.5/4 15 CCSSCP2.5/5 10 CCSSCP2.5/10 5	CCSSCP2.5/2 25 CCSSCP2.5/3 20 CCSSCP2.5/4 15 CCSSCP2.5/5 10 CCSSCP2.5/10 5	
Separation Plate	SCPSP22D2.5GREY 50	SCPSP22D2.5GREY 50	SCPSP22D2.5GREY 50	SCPSP2.5GREY 50	SCPSP2.5GREY 50
Pin Code	SCP-CODE 50	SCP-CODE 50	SCP-CODE 50	SCP-CODE 50	SCP-CODE 50
Marking Tags	Refer to our Printer solution	Refer to our Printer solution	Refer to our Printer solution	Refer to our Printer solution	Refer to our Printer solution

SCP21PE2.5P

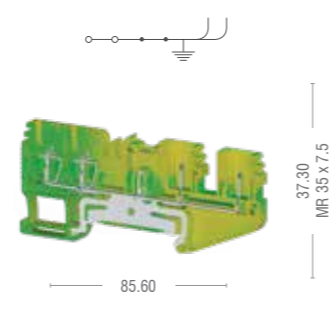
Width: 5.2 mm



**Feed Through Terminal Block
Double Wire Entry to Plug
Protective Earth**

SCP22PE2.5P

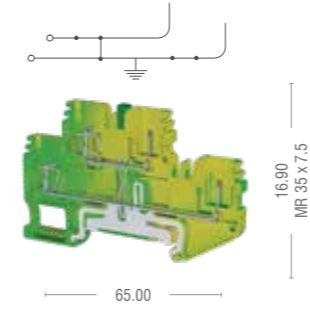
Width: 5.2 mm



**Feed Through Terminal Block
Double Wire Entry to Two Plugs
Protective Earth**

SCP22DBPE2.5P

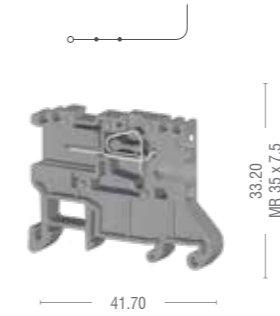
Width: 5.2 mm



**Feed Through Two-Level Terminal Block
Double Wire Entry to Two Plugs
Vertically Bridged, Protective Earth**

SCP-H02.5

Width: 5.2 mm



**Feed Through Terminal Block
Wire to Plug
Horizontal Mount**

SCP-FM2.5

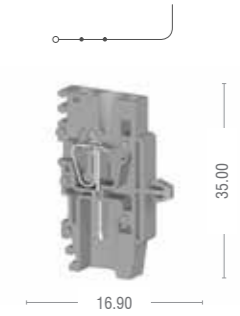
Width: 5.2 mm



**Feed Through Terminal Block
Wire to Plug
Connector Mount**

SCP-HM2.5

Width: 5.2 mm



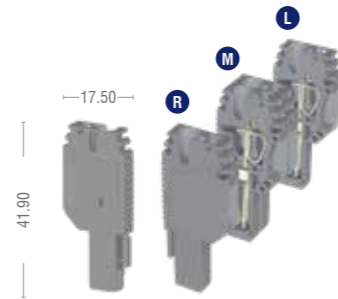
**Feed Through Terminal Block
Wire to Plug
Hole Mount**



Electrical Ratings	SCP21PE2.5P		SCP22PE2.5P		SCP22DBPE2.5P		SCP-H02.5		SCP-FM2.5		SCP-HM2.5	
CE (IEC 61984 / IEC 60947-7-1)	V / A / 2.5 mm ²		V / A / 2.5 mm ²		V / A / 2.5 mm ²		500 V / 24 A / 2.5 mm ²		500 V / 24 A / 2.5 mm ²		500 V / 24 A / 2.5 mm ²	
Connection Data												
Conductor cross section solid (min.-max.)	0.08 - 4 mm ²		0.08 - 4 mm ²		0.08 - 4 mm ²		0.08 - 4 mm ²		0.08 - 4 mm ²		0.08 - 4 mm ²	
Conductor cross section stranded (min.-max.)	0.14 - 2.5 mm ²		0.14 - 2.5 mm ²		0.14 - 2.5 mm ²		0.14 - 2.5 mm ²		0.14 - 2.5 mm ²		0.14 - 2.5 mm ²	
2 conductors with same cross section, stranded, TWIN ferrules with plastic sleeve	0.5 mm ²		0.5 mm ²		0.5 mm ²		0.5 mm ²		0.5 mm ²		0.5 mm ²	
AWG Conductor	28 - 12		28 - 12		28 - 12		28 - 12		28 - 12		28 - 12	
Insulation Stripping Length (min.-max.)	8 - 10 mm		8 - 10 mm		8 - 10 mm		8 - 10 mm		8 - 10 mm		8 - 10 mm	
Technical Data												
Rated Impulse Voltage / Pollution severity	6/3		6/3		6/3		6/3		6/3		6/3	
Insulation material group / Gauge pin code according to IEC 60947-1	1/A3		1/A3		1/A3		1/A3		1/A3		1/A3	
Protection class / Protection conductor type	IP 20 / PE		IP 20 / PE		IP 20 / PE		IP 20 / -		IP 20 / -		IP 20 / -	
Ordering Data	Type	Qty.	Type	Qty.	Type	Qty.	Type	Qty.	Type	Qty.	Type	Qty.
Feed Through Terminal Block	SCP21PE2.5	50	SCP22PE2.5	50	SCP22DBPE2.5	25	SCPH02.5GREY	50	SCP22DBPE2.5	25	SCPHM2.5GREY	50
Feed Through Terminal Block, Earth												
Accessories	Type	Qty.	Type	Qty.	Type	Qty.	Type	Qty.	Type	Qty.	Type	Qty.
End Plate	EPSCP21PE2.5	50	EPSCP22PE2.5	50			EPSCPPT2.5GREY	50	EPSCPGREY	50	EPSCPGREY	50
Cross Connectors	CCSSCP2.5/2	25	CCSSCP2.5/2	25	CCSSCP2.5/2	25						
	CCSSCP2.5/3	20	CCSSCP2.5/3	20	CCSSCP2.5/3	20						
	CCSSCP2.5/4	15	CCSSCP2.5/4	15	CCSSCP2.5/4	15						
	CCSSCP2.5/5	10	CCSSCP2.5/5	10	CCSSCP2.5/5	10						
	CCSSCP2.5/10	5	CCSSCP2.5/10	5	CCSSCP2.5/10	5						
Separation Plate	SCPSP212.5GREY	50	SCPSP22 2.5GREY	50								
Pin Code	SCP-CODE	50	SCP-CODE	50								
Marking Tags	Refer to our Printer solution		Refer to our Printer solution		Refer to our Printer solution		Refer to our Printer solution		Refer to our Printer solution		Refer to our Printer solution	

SCP-PT2.5

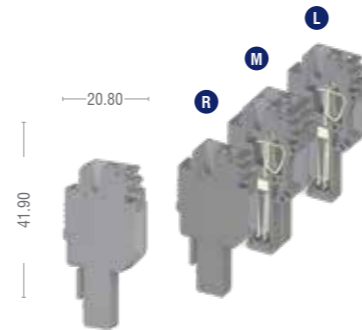
Width: 5.2 mm



One Pole or Modular Composition Plug

SCP-PTCC2.5

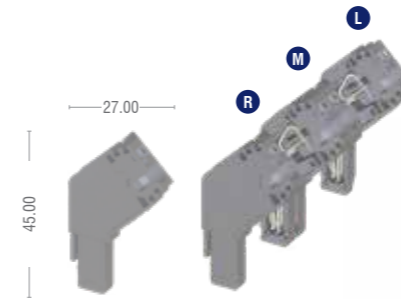
Width: 5.2 mm



One Pole or Modular Composition Plug, Cross Connectable

SCP-PTA2.5

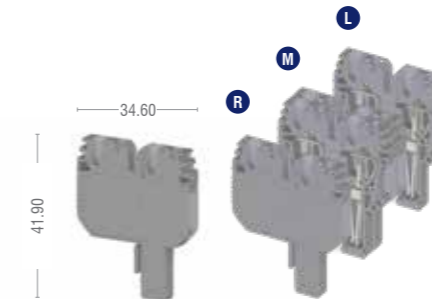
Width: 5.2 mm



One Pole or Modular Composition Plug, 45° Angled

SCP-PTD2.5

Width: 5.2 mm



One Pole or Modular Composition Plug, Double Entry, Cross Connectable



Electrical Ratings CE (IEC 61984 / IEC 60947-7-1)	500V / 24A / 2.5 mm ²
Connection Data	
Conductor cross section solid (min.-max.)	0.08 - 4 mm ²
Conductor cross section stranded (min.-max.)	0.14 - 2.5 mm ²
2 conductors with same cross section, stranded, TWIN ferrules with plastic sleeve	0.5 mm ²
AWG Conductor	28 - 12
Insulation Stripping Length (min.-max.)	8 - 10 mm
Technical Data	
Rated Impulse Voltage / Pollution severity	6/3
Insulation material group / Gauge pin code according to IEC 60947-1	1/A3
Protection class / Protection conductor type	IP 20 / -
Ordering Data	
Plug Wire to Socket, One Pole	SCP-PT2.5/1GREY 50
Plug Wire to Socket, One Pole Modular, Left Hand Side	SCP-PT2.5/1LGREY 50
Plug Wire to Socket, One Pole Modular, Middle	SCP-PT2.5/1MGREY 50
Plug Wire to Socket, One Pole Modular, Right Hand Side	SCP-PT2.5/1RGREY 50
Plug Wire to Socket, One Pole, Earth	SCP-PTPE2.5 50
Accessories	
Cross Connectors	CCSSCP2.5/2 25 CCSSCP2.5/3 20 CCSSCP2.5/4 15 CCSSCP2.5/5 10 CCSSCP2.5/10 5
Socket Locks	SCP-LOCK1 50 SCP-LOCK2 50
Cable Tie Holder	SCP-HOLD 100
Marking Solution	Refer to our Printer Section

500V / 24A / 2.5 mm ²	
0.08 - 4 mm ²	
0.14 - 2.5 mm ²	
0.5 mm ²	
28 - 12	
8 - 10 mm	
6/3	
1/A3	
IP 20 / -	
Type	Qty.
SCP-PT2.5/1GREY	50
SCP-PT2.5/1LGREY	50
SCP-PT2.5/1MGREY	50
SCP-PT2.5/1RGREY	50
SCP-PTPE2.5	50
Type	Qty.
SCP-LOCK1	50
SCP-LOCK2	50
SCP-HOLD	100
Refer to our Printer Section	

500V / 24A / 2.5 mm ²	
0.08 - 4 mm ²	
0.14 - 2.5 mm ²	
0.5 mm ²	
28 - 12	
8 - 10 mm	
6/3	
1/A3	
IP 20 / -	
Type	Qty.
SCP-PTCC2.5/1GREY	25
SCP-PTCC2.5/1LGREY	20
SCP-PTCC2.5/1MGREY	15
SCP-PTCC2.5/1RGREY	10
SCP-PTCCPE2.5	5
Type	Qty.
CCSSCP2.5/2	25
CCSSCP2.5/3	20
CCSSCP2.5/4	15
CCSSCP2.5/5	10
CCSSCP2.5/10	5
SCP-LOCK1	50
SCP-LOCK2	50
SCP-HOLD	100
Refer to our Printer Section	

500V / 24A / 2.5 mm ²	
0.08 - 4 mm ²	
0.14 - 2.5 mm ²	
0.5 mm ²	
28 - 12	
8 - 10 mm	
6/3	
1/A3	
IP 20 / -	
Type	Qty.
SCP-PTA2.5/1GREY	50
SCP-PTA2.5/1LGREY	50
SCP-PTA2.5/1MGREY	50
SCP-PTA2.5/1RGREY	50
SCP-PTAPE2.5	50
Type	Qty.
SCP-LOCK1	50
SCP-LOCK2	50
SCP-HOLD	100
Refer to our Printer Section	

500V / 24A / 2.5 mm ²	
0.08 - 4 mm ²	
0.14 - 2.5 mm ²	
0.5 mm ²	
28 - 12	
8 - 10 mm	
6/3	
1/A3	
IP 20 / -	
Type	Qty.
SCP-PTD2.5/1GREY	25
SCP-PTD2.5/1LGREY	20
SCP-PTD2.5/1MGREY	15
SCP-PTD2.5/1RGREY	10
SCP-PTDPE2.5	5
Type	Qty.
CCSSCP2.5/2	25
CCSSCP2.5/3	20
CCSSCP2.5/4	15
CCSSCP2.5/5	10
CCSSCP2.5/10	5
SCP-LOCK1	50
SCP-LOCK2	50
SCP-HOLD	100
Refer to our Printer Section	

Combination Possibilities

By combining single units of **L-R** products for left and right ends, add desired quantities of **M** products in-between to make your custom sockets.

